



Free Questions for [DES-5121](#) by [go4braindumps](#)

Shared by [Barnett](#) on [24-05-2024](#)

For More Free Questions and Preparation Resources

[Check the Links on Last Page](#)

Question 1

Question Type: MultipleChoice

Which interface on a Dell EMC N-Series switch provides the most security for management?

Options:

- A- VLAN
- B- Ethernet
- C- Loopback
- D- Out-of-band

Answer:

D

Question 2

Question Type: DragDrop

What is the typical sequence of steps to upgrade the firmware of a Dell EMC N-Series switch?

Copy the firmware image from the TFTP server to the switch

Step 1

Answer:

Configure and start the TFTP server

Step 2

Update the boot code on the switch and reboot

Step 3

Question 3

Question Type: MultipleChoice

Backup the running-config to a TFTP server

Step 4

What happens when a match is found for an ACL with 15 entries?

Select the new image for the next boot

Step 5

Options:

- A-** All packets which match that entry are forwarded
- B-** Action from that entry is performed and the rest of the entries in the ACL are processed
- C-** All packets which match that entry are dropped
- D-** Action from that entry is performed and the ACL is exited

Answer:

D

Question 4

Question Type: MultipleChoice

A user's workstation is connected to an IP phone that is connected to a Dell EMC N-Series switch.

Which type of traffic is typically tagged or untagged?

Options:

- A- Data = tagged, Voice = untagged
- B- Data = untagged, Voice = untagged
- C- Data = tagged, Voice = tagged
- D- Data = untagged, Voice = tagged

Answer:

D

Explanation:

<https://www.dell.com/support/article/en-us/how12385/how-to-enable-the-voice-vlan-feature-on-dell-emc-networking-n-series-switches?lang=en>

Question 5

Question Type: MultipleChoice

Refer to the exhibit.

```
console#show ip access-list broadcast

IP ACL Name: broadcast

Outbound Interface(s) :
Gi1/0/1

Rule Number: 1000
Action.....deny
Match All.....FALSE
Protocol.....255 (ip)
Source IP Address.....any
Destination IP Address.....255.255.255.255
Destination IP Mask.....255.255.255.255
ACL Hit Count.....0

Rule Number: 1010
Action.....permit
Match All.....TRUE
ACL Hit Count.....0
```

A network administrator has created an ACL to block broadcast traffic to their server on port Gi1/0/1. Why is the ACL not functioning as desired?

Options:

- A- ACL is not applied in the correct direction
- B- ACLs do not support broadcast traffic
- C- Destination address mask is incorrect
- D- Destination IP address is incorrect

Answer:

A

Question 6

Question Type: DragDrop

Match the DSCP class selectors with their description.

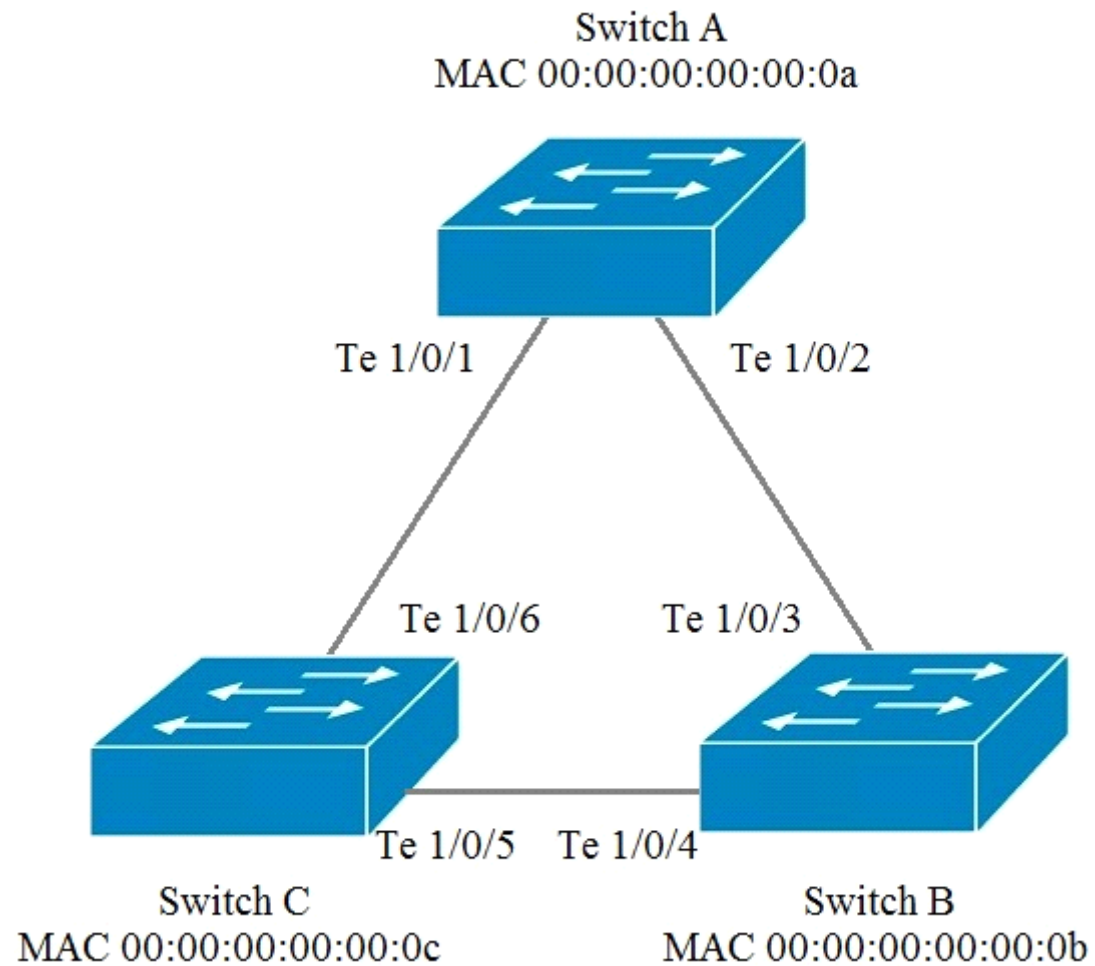
DSCP class

Description

| DSCP class | Description |
|--|--|
| Answer: Class 0 | Expedited Forwarding |
| Class 1 | Best Effort |
| Question Type: Multiple Choice 5 Exhibit: Class 6 | Reserved for network control traffic Assured Forwarding |

Question 7

Question Type: Multiple Choice 5



The exhibit represents a topology with all Dell EMC N4000 Series switches with RSTP enabled. In addition, the switches are using the default configuration on all ports and protocols.

Which port number will be blocked by spanning tree?

Options:

A- Te 1/0/3

B- Te 1/0/4

C- Te 1/0/5

D- Te 1/0/6

Answer:

C

Question 8

Question Type: MultipleChoice

A user's workstation has an IP phone connected to a Dell EMC N-Series switch.

What is the recommended number of VLANs that should be configured on the switch port?

Options:

A- 0

B- 1

C- 2

D- 3

Answer:

C

Question 9

Question Type: MultipleChoice

What are key features of the Dell EMC N4064 or N4064F switches?

Options:

A- Up to 640 Gbps switch fabric capacity and hot swap expansion module support for dual QSFP+ (8 x 10GbE)

B- Up to 1.0 Tbps switch fabric capacity and up to 48-line rate 10GbE ports per switch

C- Up to 1.2 Tbps switch fabric capacity and up to 64-line rate 10GbE ports per switch

D- Up to 48-line rate 10GbE ports per switch and hot swap expansion module support for dual QSFP+ (8 x 10GbE)

Answer:

A

Explanation:

https://i.dell.com/sites/csdocuments/Shared-Content_data-Sheets_Documents/en/aa/Dell_Networking_N4000_Series_SpecSheet.pdf

Question 10

Question Type: MultipleChoice

```
Switch-1(config)# interface tengigabitethernet 1/0/1
```

```
Switch-1(config)# switchport mode access
```

```
Switch-1(config)# switchport trunk allowed vlan 10, 20
```

```
Switch-1(config)#
```

```
Switch-1(config)# interface tengigabitethernet 1/0/3
```

```
Switch-1(config)# switchport mode access
```

```
Switch-1(config)# switchport access vlan 10
```

```
Switch-2(config)# interface tengigabitethernet 1/0/2
```

```
Switch-2(config)# switchport mode trunk
```

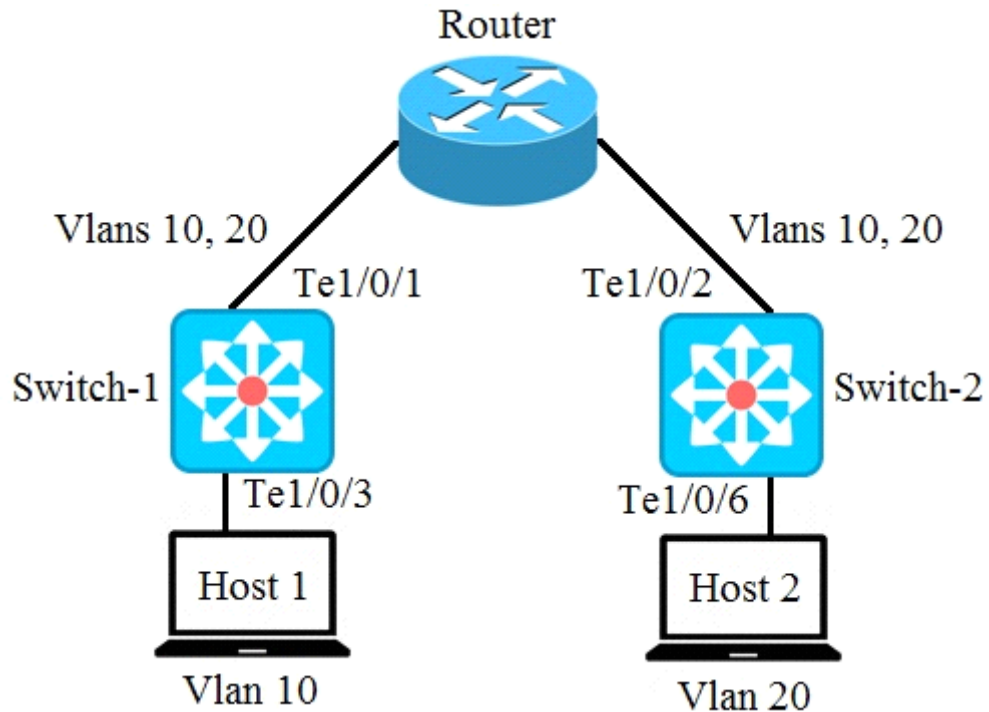
```
Switch-2(config)# switchport trunk allowed vlan 10, 20
```

```
Switch-2(config)#
```

```
Switch-2(config)# interface tengigabitethernet 1/0/6
```

```
Switch-2(config)# switchport mode access
```

```
Switch-2(config)# switchport access vlan 20
```



A network administrator is troubleshooting why Host 1 cannot communicate with Host 2.

Based on the switch output shown in the exhibit, what is the reason for the communication issue?

Options:

A- Port Te1/0/1 on Switch-1 is configured incorrectly

B- Port Te1/0/2 on Switch-2 is configured incorrectly

- C- Port Te1/0/3 for Host 1 is configured incorrectly on Switch-1
- D- Port Te1/0/6 for Host 2 is configured incorrectly on Switch-2

Answer:

A

Question 11

Question Type: MultipleChoice

What is the interaction between CDP, ISDP, and LLDP when communicating configuration information from a Dell EMC Campus networking switch to a Cisco VoIP phone?

Options:

- A- N-Series switches can be configured to use LLDP or CDP to communicate configuration information with Cisco devices
- B- N-Series switches can be configured to use only CDP to communicate configuration information with Cisco devices
- C- N-Series switches can be configured to use ISDP or CDP to communicate configuration information with Cisco devices
- D- N-Series switches can be configured to use ISDP or LLDP to communicate configuration information with Cisco devices

Answer:

D

To Get Premium Files for DES-5121 Visit

<https://www.p2pexams.com/products/des-5121>

For More Free Questions Visit

<https://www.p2pexams.com/dell-emc/pdf/des-5121>

