



Free Questions for HPE6-A72 by ebraindumps

Shared by Atkins on 22-07-2024

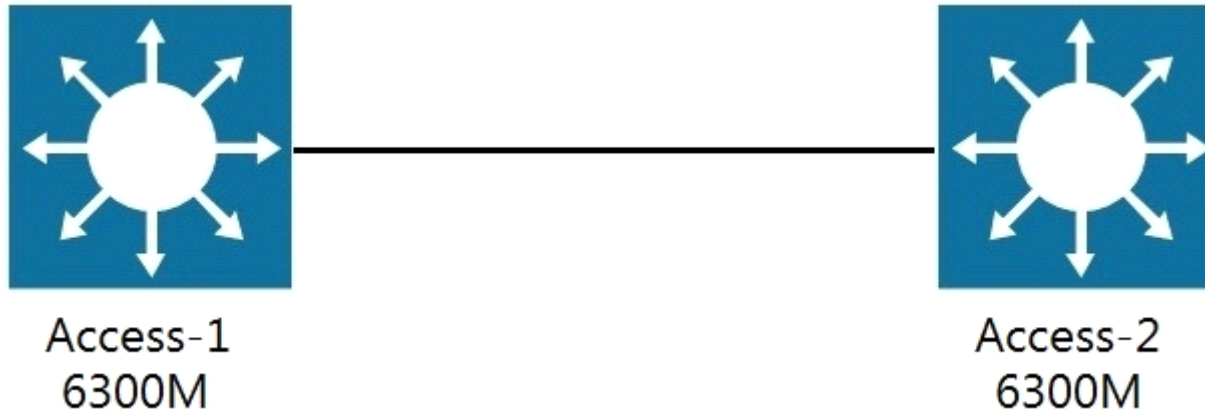
For More Free Questions and Preparation Resources

Check the Links on Last Page

Question 1

Question Type: MultipleChoice

Refer to the exhibit.



You are in the process of configuring VSF between Access-1 and Access-2. Access-1 has been configured as the VSF Master.

What is a valid configuration for Access-2 to join the VSF stack?

Options:

A- Access-2# configure

```
Access-2(config)# vsf member 1 Access-2(config)# vsf renumber-to 2 Access-2(vsf-member-1)# link 2 2/1/28 Access-2(vsf-member-1)#  
exit
```

This will save the VSF configuration and reboot the switch. Do you want to continue (y/n)? y

B- Access-2# configure

```
Access-2(config)# vsf member 2 Access-2(vsf-member-1)# link 2 1/1/28 Access-2(vsf-member-1)# exit
```

This will save the VSF configuration and reboot the switch. Do you want to continue (y/n)? y

C- Access-2# configure

```
Access-2(config)# vsf member 2 Access-2(vsf-member-1)# link 1 1/1/28 Access-2(vsf-member-1)# exit
```

This will save the VSF configuration and reboot the switch. Do you want to continue (y/n)? y

D- Access-2# configure

```
Access-2(config)# vsf member 1 Access-2(vsf-member-1)# link 1 1/1/28 Access-2(vsf-member-1)# exit
```

```
Access-2(config)# vsf renumber-to 2
```

This will save the VSF configuration and reboot the switch. Do you want to continue (y/n)? y

Answer:

C

Question 2

Question Type: MultipleChoice

Refer to the exhibit.

```
watchlog/3      0      0      0
dbus-daemon     0      0     15
intfd           0      0     11
ext4-rsv-conver 0      0      0
scsi_eh_6       0      0      0
cpuhp/3        0      0      0
kworker/4:0     0      0      0
scsi_tmf_4      0      0      0
kworker/5:1H   0      0      0
smartd         0      0      3
fault-handlerd 0      0     10
btd            0      0     12
portd          0      0     12
migration/4    0      0      0
scsi_tmf_1     0      0      0
kworker/2:0H   0      0      0
kauditd        0      0      0
rmond          0      0      9
certmgr        0      0     13
icmp6_unreachab 0      0      0
Core-1#
```

The above output is the result of issuing the command `show system resource-utilization`. What command should be used to enable terminal output line by line or page by page?

Options:

- A- The command page
- B- The command terminal length 30
- C- The command more
- D- The command less

Answer:

A

Question 3

Question Type: MultipleChoice

What is an available command on an Aruba AOS-CX switch that would back up the secondary image to a secure remote repository?

Options:

- A- backup secondary sftp://admin@10.1.1.21/GL.10.04.0003.swi

B- copy secondary sftp://admin@10.1.1.21/GL.10.04.0003.swi

C- copy sftp://admin@10.1.1.21/GL.10.04.0003.swi secondary

D- copy secondary tftp://admin@10.1.1.21/GL.10.04.0003.swi

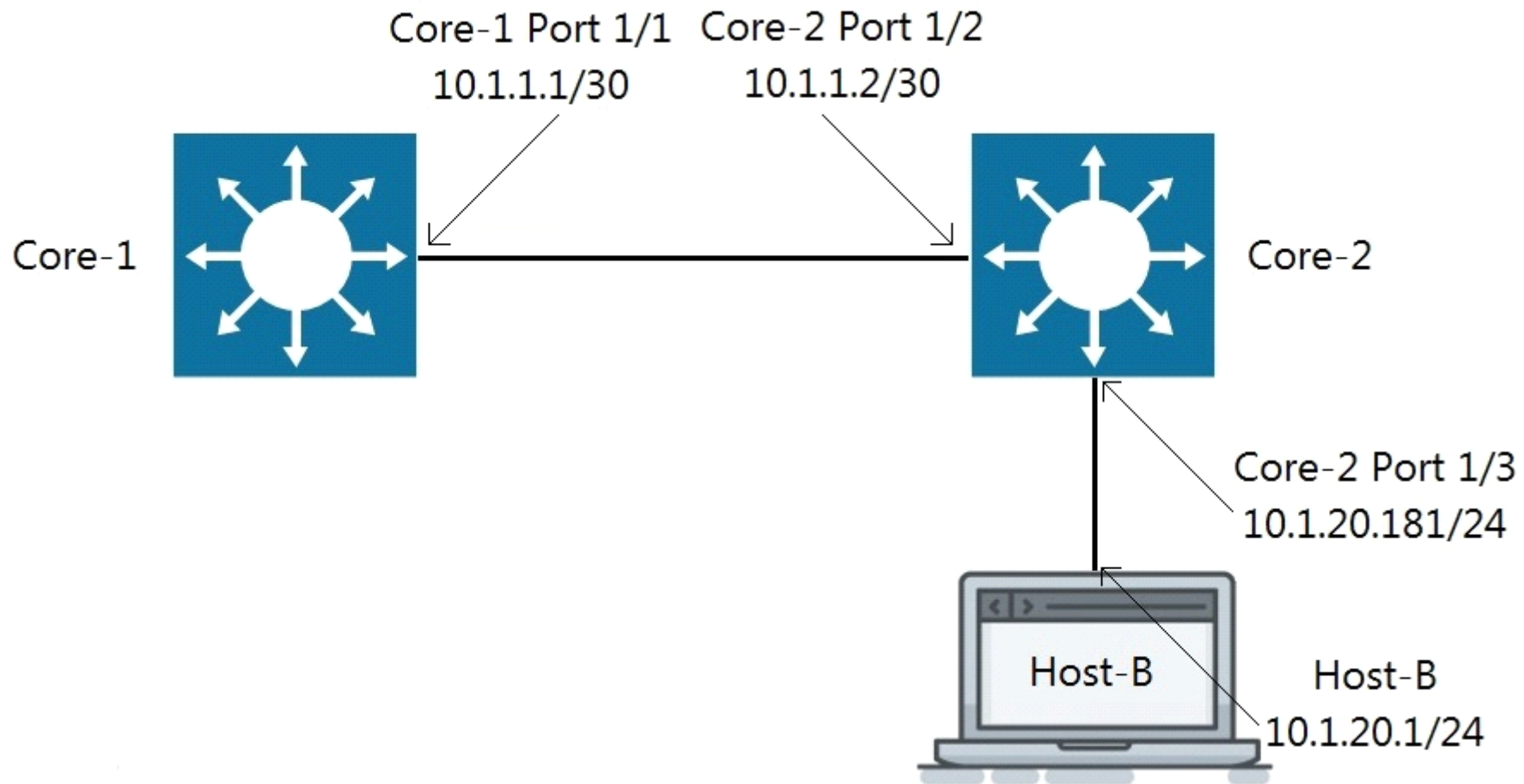
Answer:

B

Question 4

Question Type: MultipleChoice

Refer to the exhibit.



Traffic is failing between Core-1 and Host-B. IP addressing has correctly been applied, and all interfaces are attached to the vrf GREEN.

Which configuration will correct the issue?

Options:

- A- Core-2(config)# ip route 0.0.0.0/0 10.1.1.1 vrf GREEN Host-B: assign the default-gateway address 10.1.20.181
- B- Core-1(config)# ip route 10.1.20.0/24 10.1.1.2 vrf GREEN Host-B: assign the default-gateway address 10.1.20.181
- C- Core-1(config)# ip route 10.1.20.0/24 10.1.1.2 vrf GREEN Host-B: assign the default-gateway address 10.1.20.1
- D- Host-B: assign the default-gateway address 10.1.20.181

Answer:

B

Question 5

Question Type: MultipleChoice

Interface 1/1/1 is up

Admin state is up

Link transitions: 1

Description: TO_PC-1

Hardware: Ethernet, MAC Address: 00:11:22:33:44:55

MTU 1500

Type 1GbT

Full-duplex

qos trust none

Speed 1000 Mb/s

Auto-negotiation is on

Flow-control: off

Error-control: off

MDI mode: MDIX

VLAN Mode: access

Access VLAN: 1111

Which command will produce the above output?

Options:

A- show interface vlan 1111

B- show interface 1/1/1

C- show interface gigabit 1/1/1

D- show vlan 1111

Answer:

B

Question 6

Question Type: MultipleChoice

The customer has 778 developers testing computer games on the network.

Which two actions resolve Broadcast storms? (Choose two.)

Options:

A- Manually disable the redundant link to immediately resolve the impacted portion of the network.

B- Utilize Spanning Tree to dynamically disable all redundant links in a segment.

C- Setting switch ports to half-duplex will resolve Broadcast storms using Carrier Sense Multiple-Access Collision Detection (CSMA/CD).

- D-** Enable single Area Open Shortest Path First (OSPF) on all Layer 2 switches, but do not enable routing.
- E-** Utilize Spanning Tree to dynamically block Designated ports in addition to Alternate ports.

Answer:

A, B

Question 7

Question Type: MultipleChoice

Which two port characteristics must match between LAG interfaces? (Choose two.)

Options:

- A-** Port number
- B-** Duplex
- C-** Member ID
- D-** Media type
- E-** Chassis number

Answer:

B, D

Question 8

Question Type: MultipleChoice

Which two statements are true regarding Checkpoints on Aruba switches? (Choose two.)

Options:

- A-** Rolling back to a prior checkpoint triggers a reboot of the switch.
- B-** Stacking switches using VSF or VSX will disable the Checkpoint feature.
- C-** A checkpoint is a snapshot of the running-configuration and relevant metadata at the time the checkpoint was created.
- D-** System-generated checkpoints are created after a configuration change and 5 minutes of inactivity.
- E-** Checkpoints are available on AOS 5400R switches, as well as on all AOS-CX switches.

Answer:

C, E

Question 9

Question Type: MultipleChoice

What is the process where a compute device converts logical data bits into the correct physical representation depending on the media?

Options:

- A- Demodulation
- B- Modulation
- C- Propagation
- D- Encapsulation

Answer:

D

Question 10

Question Type: MultipleChoice

Which command will suppress LLDP messages from egressing on a given port while still allowing LLDP to be enabled on the switch?

Options:

A- switch(config-if)# no lldp interface (port) transmit

B- switch(config-if)# no lldp transmit

C- switch(config-if)# no lldp receive

D- switch(config)# no lldp

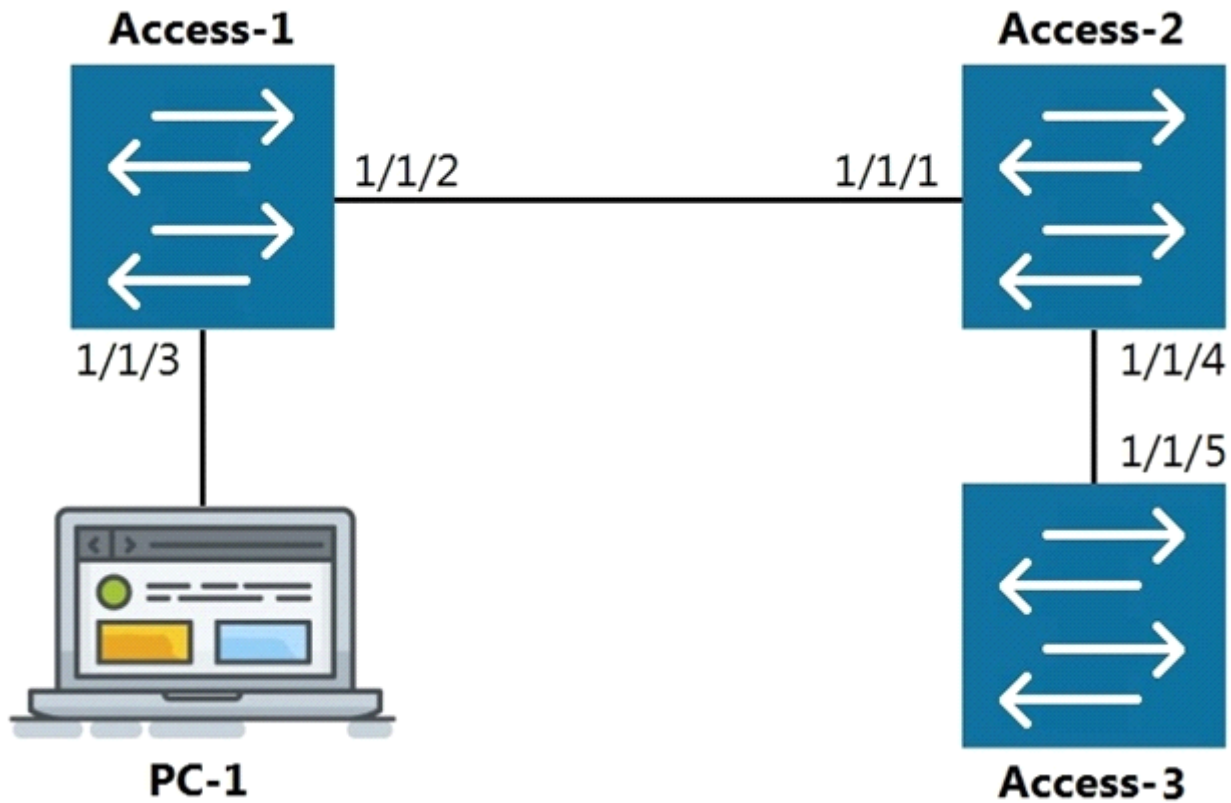
Answer:

B

Question 11

Question Type: MultipleChoice

Refer to the exhibit.



The command `show LLDP neighbor-info` gets typed into Access-1. All switches are Aruba OS-CX switches. What is the output of this command?

A.

LOCAL-PORT	CHASSIS-ID	PORT-ID	PORT-DESC	TTL	SYS-NAME
1/1/1	90:20:c2:bc:ed:00	1/1/2	1/1/2	120	Access-2
1/1/5	90:20:c2:bc:ef:00	1/1/2	1/1/2	120	Access-3

B.

LOCAL-PORT	CHASSIS-ID	PORT-ID	PORT-DESC	TTL	SYS-NAME
1/1/1	90:20:c2:bc:ed:00	1/1/2	1/1/2	120	Access-2

C.

LOCAL-PORT	CHASSIS-ID	PORT-ID	PORT-DESC	TTL	SYS-NAME
1/1/2	90:20:c2:bc:ed:00	1/1/1	1/1/1	120	Access-2
1/1/2	90:20:c2:bc:ef:00	1/1/5	1/1/5	120	Access-3

D.

LOCAL-PORT	CHASSIS-ID	PORT-ID	PORT-DESC	TTL	SYS-NAME
1/1/2	90:20:c2:bc:ed:00	1/1/1	1/1/1	120	Access-2

Options:

A- Option A

B- Option B

C- Option C

D- Option D

Answer:

D

To Get Premium Files for HPE6-A72 Visit

<https://www.p2pexams.com/products/hpe6-a72>

For More Free Questions Visit

<https://www.p2pexams.com/hp/pdf/hpe6-a72>

