



Free Questions for NS0-520 by certsinside

Shared by Browning on 22-07-2024

For More Free Questions and Preparation Resources

Check the Links on Last Page

Question 1

Question Type: MultipleChoice

Exhibit.

```
Vserver Name: AFF_SAN_DEFAULT_SVM
  LUN Path: /vol/OraFinProd_oradata_OraFinProd_1/oradata_OraFinProd_1
  Volume Name: OraFinProd_oradata_OraFinProd_1
  Qtree Name: ""
  LUN Name: oradata_OraFinProd_1
  LUN Size: 2.50GB
  OS Type: linux
  Space Reservation: disabled
  Serial Number: 807JdJI3aoSX
  Serial Number (Hex): 3830374a645d4933616f5358
  Comment:
Space Reservations Honored: false
  Space Allocation: enabled
  State: online
  LUN UUID: 6b328b3e-889e-4512-a62b-6e830a22861b
  Mapped: mapped
  Block Size: 512
```

The exhibit shows the Inn show command output for the oradata oraFinProd_I LUN.

Which two statements are correct about the LUN? (Choose two.)

Options:

- A- The LUN is thick provisioned.
- B- The LUN supports SCSI Thin unmap.

C- The LUN type is Windows.

D- The LUN is thin provisioned.

Answer:

B, D

Question 2

Question Type: MultipleChoice

Which data collection tool would be used for obtaining detailed information about hosts that are attached to ONTAP storage?

Options:

A- Upgrade Advisor

B- OneCollect

C- Brocade Network Advisor

D- Conflg Advisor

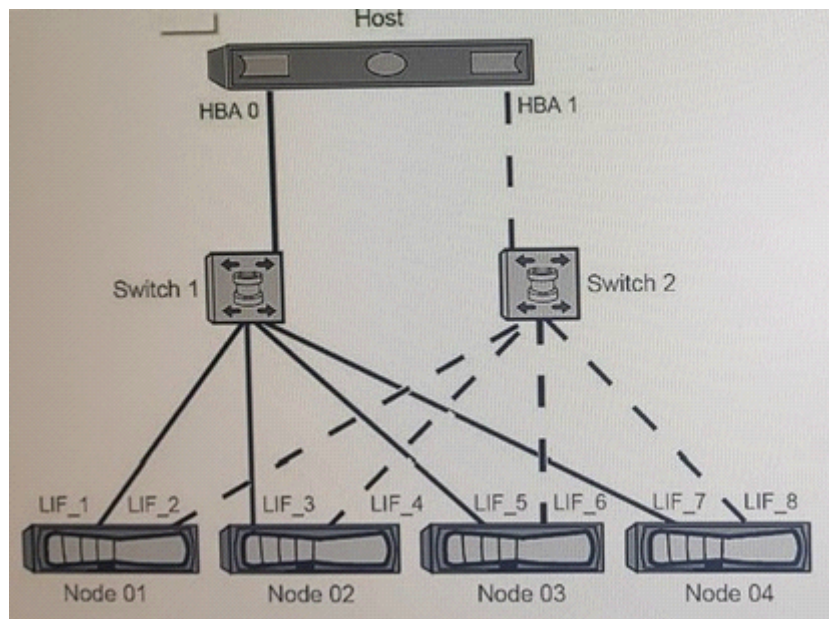
Answer:

B

Question 3

Question Type: MultipleChoice

Exhibit.



The host in the exhibit is connected to a 4-node ONTAP SAN using dual-fabric implementation. LUNs have been mapped LUN through all available UFs on nil (our nodes. Switch 2 is powered off for high-availability testing.

How many paths per LUN would you expect the host to see in this scenario?

Options:

A- 2

B- 6

C- 4

D- 8

Answer:

C

Question 4

Question Type: MultipleChoice

You have a 4-node FAS8200 A300 cluster that are using ONTAP 9.3 default settings. For faster performance, you move a volume with LUNs from a node on the FAS8200 to a node on the AFF A300. You determine that your SAN host is still using all active/optimized FC paths to the FAS8300 HA pair.

What do you need to troubleshoot to move all active/optimized FC paths to the AFF A300 HA pair?

Options:

- A- reporting nodes list
- B- host MPIO and ALUA
- C- LUN mapping
- D- igroup WWPNs

Answer:

A

Question 5

Question Type: MultipleChoice

Exhibit.

```
cl1::> lun mapping show
vserver          path                igroup lun-id reporting-nodes
-----
SVM1             /vol/host1/lun0    linux1 0      cl1-01, cl1-02
SVM1             /vol/host2/lun0    linux2 0      cl1-01, cl1-02

cl1::> lun show
Vserver Path                State Mapped Type      Size
-----
SVM1    /vol/host1/lun0    online mapped linux    10GB
SVM1    /vol/host2/lun0    online mapped linux    20MB
```

During a data mobility test on a 4-node ONTAP 9.3 cluster, the host loses direct access to its LUNs. The LUNs are hosted on node cl1-01 and are being moved to cl1-03 on a different HA pair.

Referring to the exhibit, which corrective step is needed to ensure access while the volume is moved?

Options:

- A- Add reporting nodes for cl1-03 and cl1-04.
- B- Create additional LIFs on cl1-01 and cl1-02.
- C- Create a new destination volume on cl1-03.
- D- Create new igroups on cl1-03 and cl1-04.

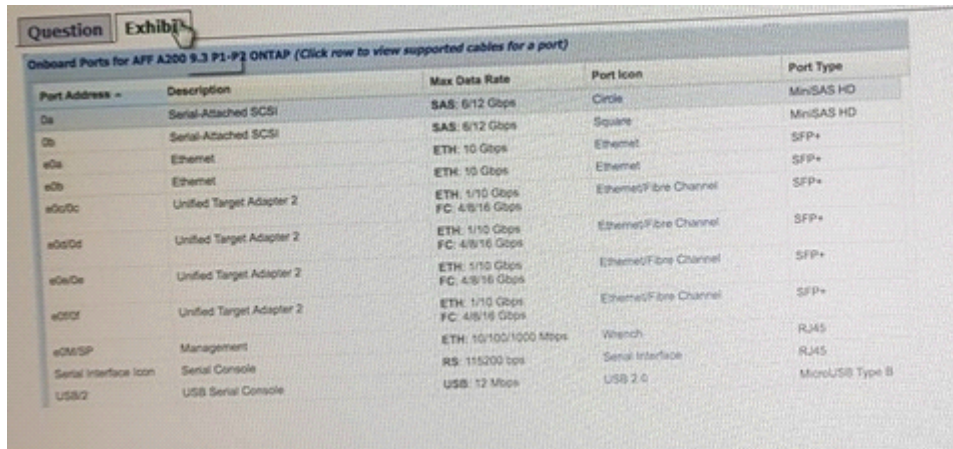
Answer:

A

Question 6

Question Type: MultipleChoice

Exhibit.



Port Address	Description	Max Data Rate	Port Icon	Port Type
Da	Serial-Attached SCSI	SAS: 6/12 Gbps	Circle	MiniSAS HD
Db	Serial-Attached SCSI	SAS: 6/12 Gbps	Square	MiniSAS HD
e0a	Ethernet	ETH: 10 Gbps	Ethernet	SFP+
e0b	Ethernet	ETH: 10 Gbps	Ethernet	SFP+
e0c/e0c	Unified Target Adapter 2	ETH: 1/10 Gbps FC: 4/8/16 Gbps	Ethernet/Fibre Channel	SFP+
e0d/e0d	Unified Target Adapter 2	ETH: 1/10 Gbps FC: 4/8/16 Gbps	Ethernet/Fibre Channel	SFP+
e0e/e0e	Unified Target Adapter 2	ETH: 1/10 Gbps FC: 4/8/16 Gbps	Ethernet/Fibre Channel	SFP+
e0f/e0f	Unified Target Adapter 2	ETH: 1/10 Gbps FC: 4/8/16 Gbps	Ethernet/Fibre Channel	SFP+
e0g/SP	Management	ETH: 10/100/1000 Mbps	Wrench	RJ45
Serial Interface Icon	Serial Console	RS: 115200 bps	Serial Interface	RJ45
USB2	USB Serial Console	USB: 12 Mbps	USB 2.0	MicroUSB Type B

An administrator has an AFF A200 HA pair.

Referring to the exhibit, how many 10 Gbps connections would the customer have on a single node for SAN host connectivity?

Options:

A- 4

B- 6

C- 7

D- 2

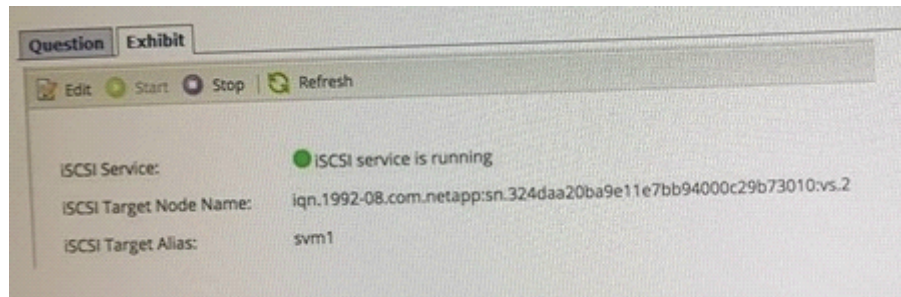
Answer:

A

Question 7

Question Type: MultipleChoice

Exhibit.



You are asked to change the iSCSI Target Node Name of an SVM named SVM1 that is serving data.

Referring to the exhibit, which two statements are correct? (Choose two.)

Options:

- A- Reconnect all the IUNs alter renaming the target node.
- B- Disable Selective LUN Mapping (SIM) and create port sets.
- C- Unmap and re-map the LUNs.
- D- Stop and start the iSCSI service.

Answer:

C, D

Question 8

Question Type: MultipleChoice

An administrator is migrating from a third-party's SAN to a newly purchased FAS9000. The administrator decides to use the NetApp Foreign LUN Import (FL1) process.

What must the administrator do for this process to work properly?

Options:

- A- Create multiple igroups for the Initiator ports.
- B- Create six distinct zones that include specific ports within each zone.
- C- Zone target ports of source storage with initiator ports of destination storage.
- D- Make the destination LUN larger than the foreign LUN.

Answer:

C

Question 9

Question Type: MultipleChoice

You are planning for a new AFF A700 2-node switchless FC solution with two Cisco 9100 switches. Each AFF A700 will have one 16 Gb port connected to each Cisco 9100 switch and four FC LIKs per physical port. You want to guarantee recovery from connection loss on a NetApp physical port and you are using single initiator to multiple target zoning.

What is the minimum number of zones required to accomplish this task?

Options:

A- 8

B- 4

C- 2

D- 1

Answer:

C

Question 10

Question Type: MultipleChoice

Exhibit.

```
c101::> system hardware unified-connect show
```

Node	Adapter	Current Mode	Current Type	Pending Mode	Pending Type	Admin Status
c101-01	3a	fc	target	-	-	online
c101-01	3b	fc	target	-	-	online
c101-02	3a	fc	target	-	-	online
c101-02	3b	fc	target	-	-	online

4 entries were displayed.

```
c101::>
```

You want to configure a UTA2 port as an FCoE target. Referring to the exhibit, which action must be performed?

Options:

- A- Configure the port mode as CNA.
- B- Configure the port mode as Ethernet.
- C- Configure the port type as initiator.
- D- Configure the port mode as FC.

Answer:

A

To Get Premium Files for NS0-520 Visit

<https://www.p2pexams.com/products/ns0-520>

For More Free Questions Visit

<https://www.p2pexams.com/netapp/pdf/ns0-520>

