



Free Questions for 4A0-100 by [braindumpscollection](#)

Shared by [Bartlett](#) on [22-07-2024](#)

For More Free Questions and Preparation Resources

[Check the Links on Last Page](#)

Question 1

Question Type: MultipleChoice

What type of MAC address is 01:00:5e:01:01:01?

Options:

- A- Unicast
- B- Multicast
- C- Broadcast
- D- Anycast

Answer:

B

Question 2

Question Type: MultipleChoice

What is the function of Layer 2?

Options:

- A-** Layer 2 is responsible for encapsulating packets into frames for transmission on physical media.
- B-** Layer 2 is responsible for encapsulating packets into IP datagrams and routing them.
- C-** Layer 2 is responsible for encapsulating application data into TCP/UDP messages.
- D-** Layer 2 is responsible for the timing of the signals on physical media.

Answer:

D

Question 3

Question Type: MultipleChoice

Which of the following is NOT characteristic of Ethernet?

Options:

- A- It is a broadcast technology that can send frames to all devices attached to shared media.
- B- It uses a passive, wait-listen protocol called Carrier Sense Multiple Access with Collision Detection (CSMA/ CD).
- C- It uses IP addresses to identify interfaces on the common network media.
- D- It is part of the network interface layer of the TCP/IP protocol suite.

Answer:

C

Question 4

Question Type: MultipleChoice

What must be configured before a LAG becomes operational?

Options:

- A- The cost must be statically configured on all ports in the LAG.

- B-** The speed and duplex setting on all ports in the LAG must be the same.
- C-** Auto-negotiation must be enabled on all ports in the LAG.
- D-** The duplex setting on all the ports in the LAG must be forced to half.

Answer:

B

Question 5

Question Type: MultipleChoice

Which ATM adaptation layer is usually used for connectionless data service?

Options:

- A-** AAL1
- B-** AAL2
- C-** AAL3/4
- D-** AAL5

Answer:

C

Question 6

Question Type: MultipleChoice

Which of the following best describes an Ethernet switch?

Options:

- A-** A passive device used to connect cables without signal amplification.
- B-** A device that receives and retransmits data without Layer 2 header inspection.
- C-** A device that receives and retransmits data based on the Layer 2 destination address.
- D-** A device that receives and retransmits data based on the Layer 3 destination address.

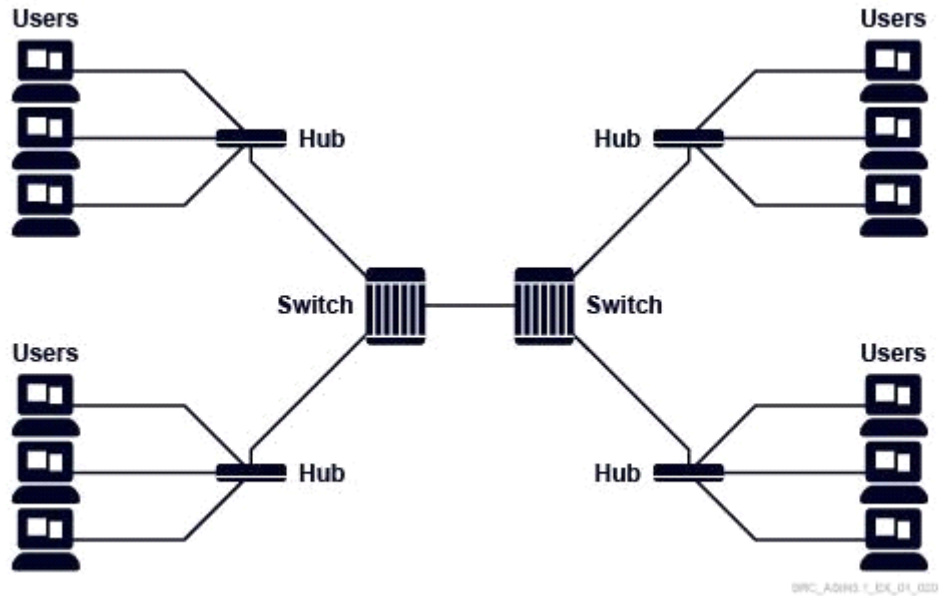
Answer:

C

Question 7

Question Type: MultipleChoice

An Ethernet Local Area Network (LAN) consists of the components shown in the diagram. How many collision domains are on this LAN?



Options:

A- 1

B- 2

C- 5

D- 6

Answer:

C

To Get Premium Files for 4A0-100 Visit

<https://www.p2pexams.com/products/4a0-100>

For More Free Questions Visit

<https://www.p2pexams.com/nokia/pdf/4a0-100>

