



Free Questions for 4A0-103 by certsinside

Shared by Salazar on 22-07-2024

For More Free Questions and Preparation Resources

Check the Links on Last Page

Question 1

Question Type: MultipleChoice

Which mode does the following statement describe? An LSR will advertise a label mapping immediately, without waiting for a label mapping from the FEC's next-hop.

Options:

- A- Liberal label retention mode
- B- Conservative label retention mode
- C- Ordered control mode
- D- Independent control mode

Answer:

D

Question 2

Question Type: MultipleChoice

Which of the following about T-LDP on the Alcatel-Lucent 7750 SR is FALSE?

Options:

- A- T-LDP is used to provide an end-to-end session between two PE routers.
- B- T-LDP is used to signal service labels for Layer 2 services.
- C- T-LDP is used to establish transport tunnels for Layer 2 services.
- D- T-LDP is used in LDP over RSVP solution.

Answer:

C

Question 3

Question Type: MultipleChoice

Which of the following best describes downstream unsolicited label distribution?

Options:

- A-** An LSR may answer requests for label mappings immediately, without waiting for a label mapping from the next-hop.
- B-** An LSR may advertise label mappings to all peers for which it might be a next-hop for a given FEC
- C-** An LSR propagates a label mapping downstream for a FEC, only if it has a label mapping for the FEC next-hop.
- D-** An LSR will only distribute a label for a FEC when it has been requested to do so.

Answer:

B

Question 4

Question Type: MultipleChoice

Which of the following is a function of the control plane in an MPLS router?

Options:

- A-** Label swapping

- B-** Pushing a label on an unlabeled packet
- C-** Label allocation
- D-** Routing lookups

Answer:

C

Question 5

Question Type: MultipleChoice

Which of the following regarding the MPLS SWAP label operation is TRUE?

Options:

- A-** The inner label will be exchanged with the MPLS outer label.
- B-** The inner label will be exchanged for a new label.
- C-** The outer label will be exchanged for a new label.
- D-** All labels will be exchanged for one new label.

E- All labels will be exchanged for an equal number of new labels.

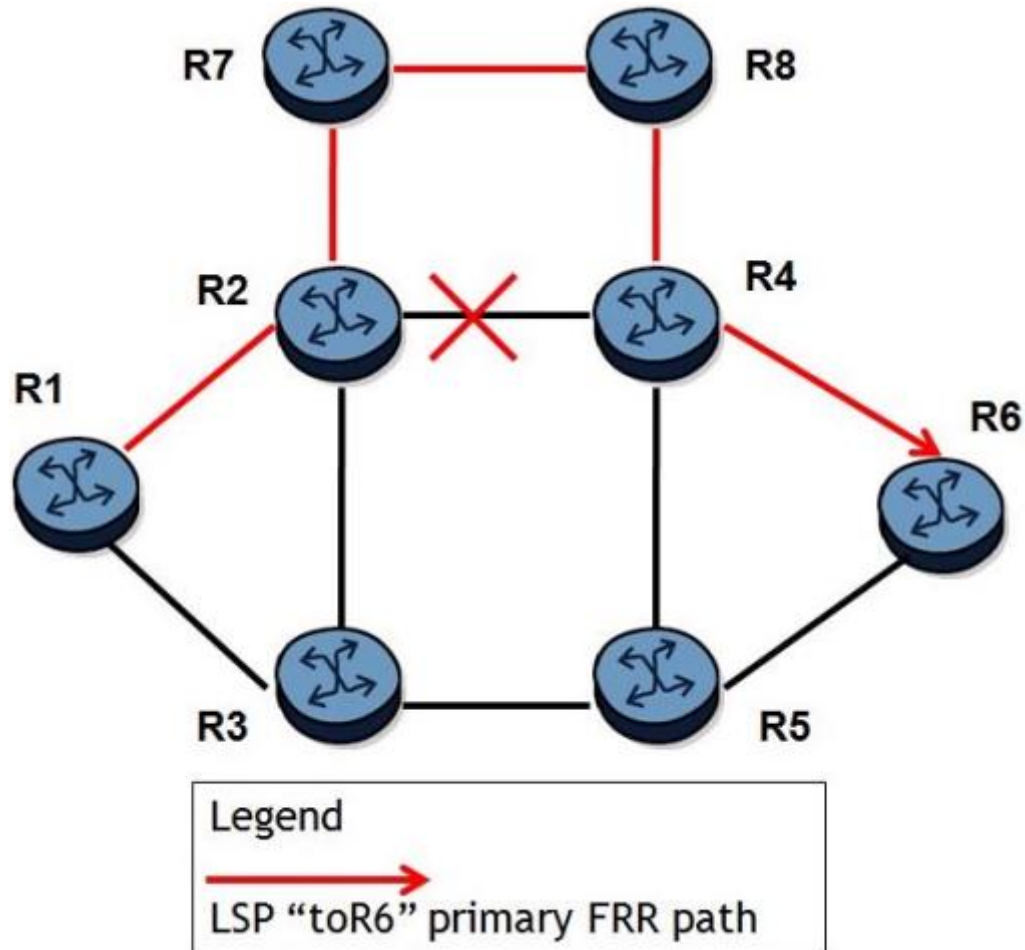
Answer:

C

Question 6

Question Type: MultipleChoice

Click on the exhibit.



A fully loose LSP "toR6" is enabled with FRR protection. All links have the same cost. After the link between R2 and R4 goes down, FRR protection repairs the LSP and traffic traverses on R1-R2-R7-R8-R4-R6. Which of the following about this CSPF-enabled LSP on an Alcatel-Lucent 7750 SR is TRUE?

Options:

- A-** The LSP will stay on the current path indefinitely unless another failure occurs.
- B-** The LSP will stay on the current path until the resignal timer expires.
- C-** The LSP will switchover to R1-R2-R3-R5-R6 after the resignal timer expires.
- D-** The LSP will switchover to R1-R3-R5-R6 after the retry timer expires.

Answer:

D

Question 7

Question Type: MultipleChoice

Click on the exhibit.


```
lsp "LSP-toR6"  
  to 10.10.10.6  
  cspf  
  primary "Path-1"  
  exit  
  secondary "Path-2"  
    standby  
    path-preference 10  
  exit  
  secondary "Path-3"  
    standby  
    path-preference 20  
  exit  
  secondary "Path-4"  
  exit  
  no shutdown
```

Both Path-1 and Path-2 are down. If Path-2 becomes available again, how does the headend router select the secondary LSP path?

Options:

- A-** The router will switch to Path-2 because it is the first secondary path configured in the list.
- B-** The router will not switch to Path-2 because the current path has the longest uptime.

- C-** The router will switch to Path-2 because it is a more preferred path.
- D-** The router will not switch to Path-2 because the router will not revert to another secondary path.

Answer:

C

Question 8

Question Type: MultipleChoice

Which of the following about an LSP protected with one-to-one FRR is TRUE?

Options:

- A-** The LSP can use facility and one-to-one FRR simultaneously.
- B-** The LSP is limited to node protection.
- C-** A single protection tunnel is used for all LSPs with the same path.
- D-** A detour protection tunnel is created for the LSP.

Answer:

D

To Get Premium Files for 4A0-103 Visit

<https://www.p2pexams.com/products/4a0-103>

For More Free Questions Visit

<https://www.p2pexams.com/nokia/pdf/4a0-103>

