



**Free Questions for 4A0-105 by ebraindumps**

**Shared by English on 24-05-2024**

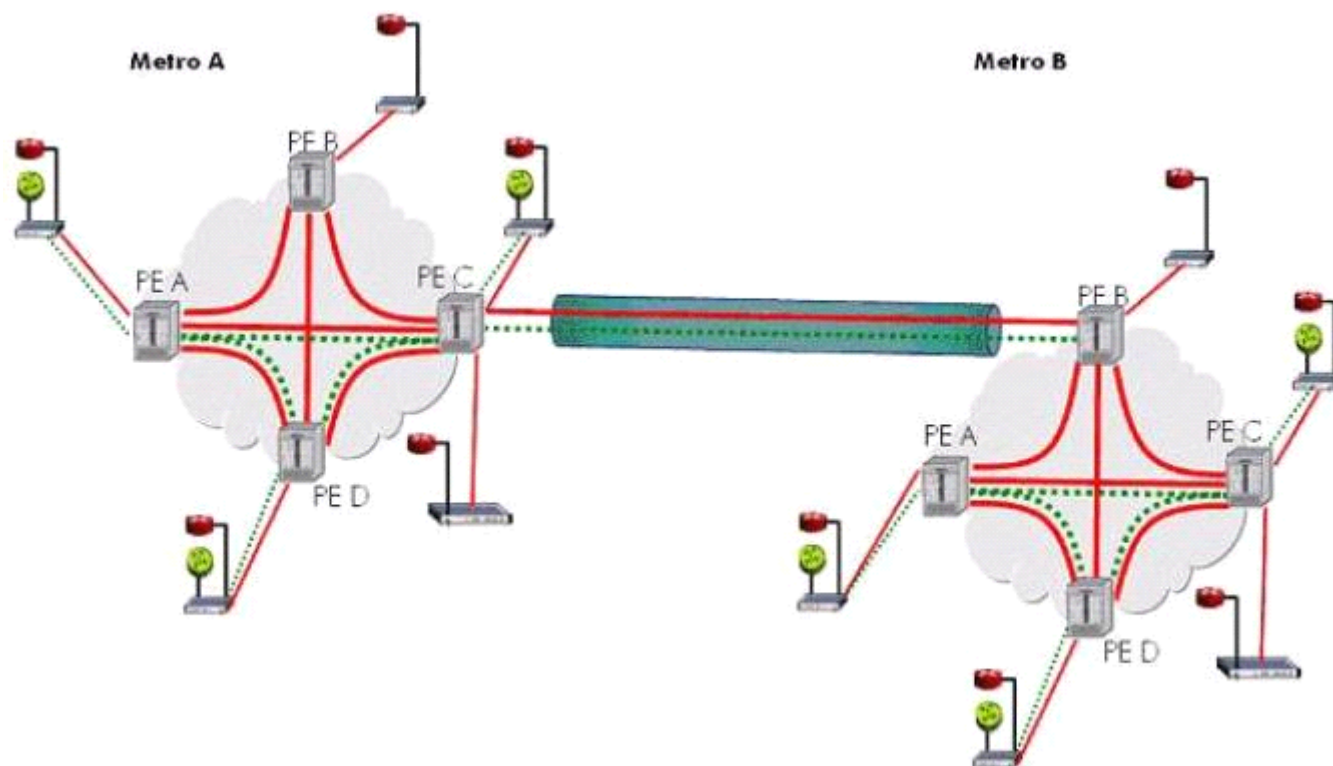
**For More Free Questions and Preparation Resources**

**Check the Links on Last Page**

# Question 1

Question Type: MultipleChoice

Click on the exhibit below.



If the device connected to PE-A in Metro A sends a frame to PE-A that requires replication within the VPLS which devices is PE-A responsible for replicating the frame to?

**Options:**

---

- A- PE-A must replicate the frame to all devices participating in the VPLS
- B- PE-A must replicate the frame to all PEs within Metro A
- C- PE-A must replicate the frame to all devices in the Metro A
- D- All of the above

**Answer:**

---

B

## Question 2

---

**Question Type:** MultipleChoice

---

Click on the exhibit below.

```
PE1>service# vpls 1 customer 1 m-vpls create
PE1>service>vpls# mesh-sdp 500:1 create
PE1>service>vpls>mesh-sdp# exit
PE1>service>vpls# no shutdown
PE1>service>vpls# spoke-sdp 900:1 create
PE1>service>vpls>spoke-sdp# exit
PE1>service>vpls# exit

PE1>service# vpls 100 customer 1 create
PE1>service>vpls# mesh-sdp 500:100 create
PE1>service>vpls>mesh-sdp# exit
PE1>service>vpls# no shutdown
PE1>service>vpls# mesh-sdp 900:100 create
PE1>service>vpls# exit
```

Given the following configuration, which service type will VPLS 1 and VPLS 100 be displayed as with the "show service service-using" command?

### Options:

---

- A- VPLS 1 will be displayed as mVPLS and VPLS 100 will be displayed as VPLS.
- B- VPLS 1 will be displayed as mVPLS and VPLS 100 will be displayed as uVPLS
- C- VPLS 1 will be displayed as VPLS and VPLS 100 will be displayed as VPLS.
- D- VPLS 1 will displayed VPLS and VPLS 100 will be displayed as uVPLS.

### Answer:

---

A

## Question 3

---

**Question Type:** MultipleChoice

---

Which of the following is a function of the data plane that must be considered when provisioning a VPLS service?

### Options:

---

- A- Number of LSPs.
- B- Number of TLDP sessions.
- C- Number of SDPs.
- D- MAC address consumption in the FDB.
- E- Bandwidth and replication requirements.

### Answer:

---

E

## Question 4

---

**Question Type: MultipleChoice**

---

Which physical topology is NOT commonly deployed in today's VPLS networks?

**Options:**

---

- A- Ring topologies.
- B- Metro-to-metro topologies
- C- H-VPLS topologies.
- D- Partial-mesh topologies.

**Answer:**

---

D

## Question 5

---

**Question Type: MultipleChoice**

---

Why should you configure send-flush-on failure on your PE routers when using active/standby pseudowires?

### Options:

---

**A-** It flushes the local FDB speeding recovery

**B-** It discards all packets in the queue and sends icmp-discad messages to the sender. The packets are re-transmitted resulting in no loss of data.

**C-** On failure, the PE sends an LDP flush-all-from-me message to all PE devices in the VPLS. This speeds convergence to the new topology.

**D-** It is not important to use send-flush-on-failure as Active/Standby signalling automatically converges the FDB in all VPLS instances

### Answer:

---

C

## Question 6

---

**Question Type: MultipleChoice**

---

What configuration is required on the CE device when using MC-LAG?

### Options:

---

- A- The CE must be configured with an MC-LAG to both PE devices.
- B- The CE must be configured with LACP in active mode.
- C- There is no configuration required on the CE.
- D- The CE must be an Alcatel-Lucent 7750 SR.

**Answer:**

---

B

## Question 7

---

**Question Type:** MultipleChoice

---

The command "send flush-on-failure" has been enabled within a VPLS instance. What does the PE do upon detection of a SAP failure within the VPLS?

**Options:**

---

- A- The PE sends an LDP control message that flushes all FDB entries in the VPLS instance.
- B- The PE sends an LDP control message that flushes all FDB entries in the VPLS instance that are associated with the PE that detected the failure.



**C-** The PE flushes it's local FDB only.

**D-** The PE sends an oam service message that flushes all FDB entries in the VPLS instance.

**Answer:**

---

B

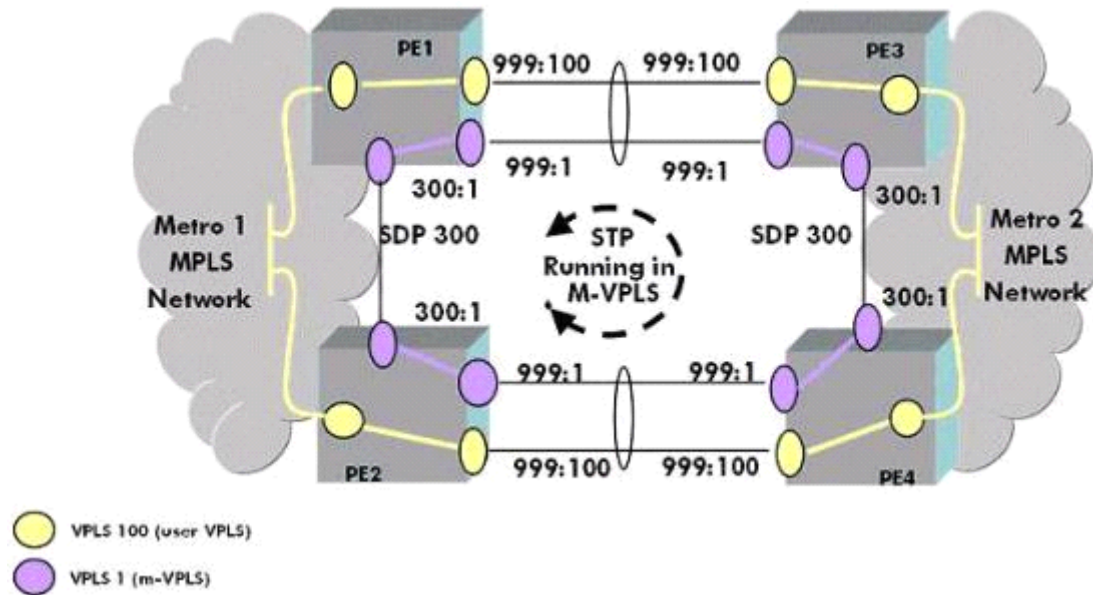
## Question 8

---

**Question Type: MultipleChoice**

---

Click on the exhibit below.



You have been requested to add load balancing across the redundant spoke-SDPs in the network shown. What further configuration is required? (Choose 2)

### Options:

- A- An additional management VPLS.
- B- Another set of LSPs between PE1 and PE3 and between PE2 and PE4.
- C- Another set of SDPs between PE1 and PE3 and between PE2 and PE4.
- D- Load balancing has to be enabled within the management VPLS.

**Answer:**

---

A, C

## Question 9

---

**Question Type:** MultipleChoice

---

Click on the exhibit below.

```
A: PE5# show service service-using
=====
Services
=====
ServiceId  Type    Adm   Opr    CustomerId  Last Mgmt Change
-----
10         VPLS   Up    Up     1           09/12/2006 18:03:34
20         VPLS   Up    Up     1           09/11/2006 11:14:45
100        VPLS   Up    Up     1           09/12/2006 17:51:07
-----
Matching Services : 3
-----
```

Management VPLS 100 has been created for redundant spoke-SDP connections. User VPLSs 10 and 20 are using the same spoke-SDPs that are being managed by VPLS 100. Unexpected behavior has been reported. Based on the following output, what is the most likely reason for the unexpected behavior?

**Options:**

---

- A- VPLS 100 was not actually configured as a management VPLS.
- B- VPLS 10 and VPLS 20 are not actually configured as a user VPLS.
- C- VPLS 10 and VPLS 20 are not using the same spoke-sdps that the management VPLS is using.
- D- Based on the output there is now way of telling if there is a problem with the configuration.

**Answer:**

---

A

## Question 10

---

**Question Type:** MultipleChoice

---

In RSTP, which state do all ports initialize in?

**Options:**

---

- A- Designated
- B- Discarding
- C- Listening

D- Root

E- Forwarding

**Answer:**

---

B

**To Get Premium Files for 4A0-105 Visit**

<https://www.p2pexams.com/products/4a0-105>

**For More Free Questions Visit**

<https://www.p2pexams.com/nokia/pdf/4a0-105>

