



Free Questions for 4A0-113 by dumpshq

Shared by Terrell on 24-05-2024

For More Free Questions and Preparation Resources

Check the Links on Last Page

Question 1

Question Type: MultipleChoice

How many databases does a Link State routing protocol use?

Options:

A- One

B- Two

C- Three

D- Four

Answer:

C

Question 2

Question Type: MultipleChoice

Which of the following cannot be used as a matching criterion in route policy statements?

Options:

- A- Source IP address
- B- TCP source port
- C- Prefix list
- D- Protocol type

Answer:

D

Question 3

Question Type: MultipleChoice

An Nokia 7750 SR receives a route via an IS-IS LSP with internal reach ability, and receives the same route via an OSPF type 5 LS

Options:

- A- If all protocol preferences are default, which route will be installed in the route table?
- A- The route learned via IS-IS will be installed.
- B- The route learned via the OSPF type 5 LSA will be installed.
- C- Both routes will be installed, if ECMP is enabled.
- D- Both routes will be installed, regardless of whether ECMP is enabled.

Answer:

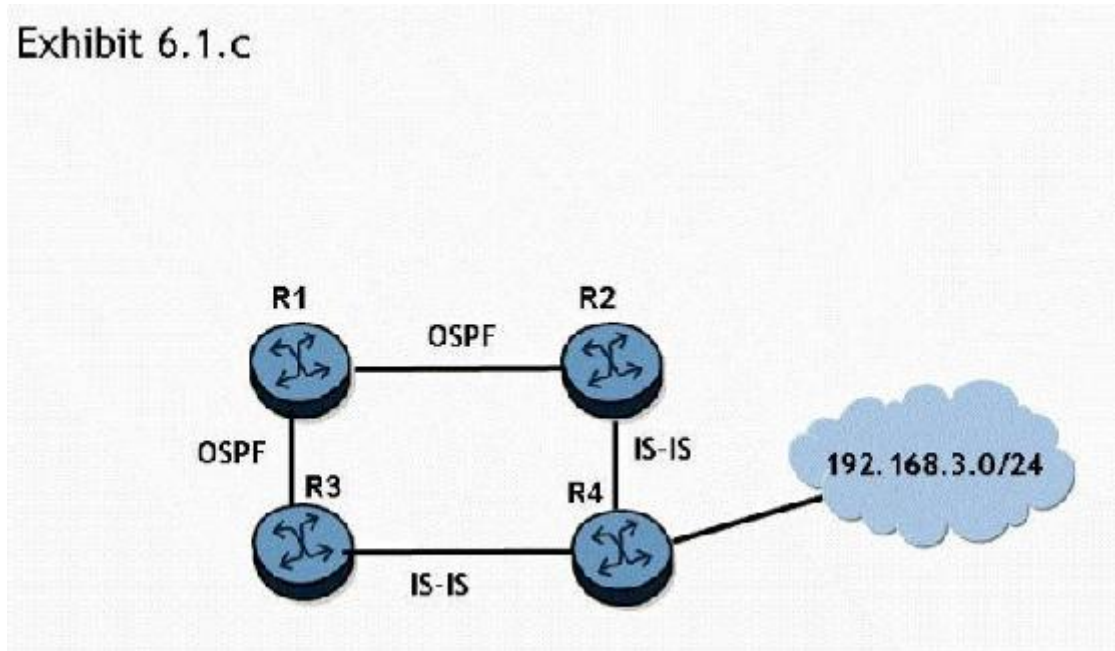
A, A

Question 4

Question Type: MultipleChoice

Click the exhibit button.

Exhibit 6.1.c



If router R2 redistributes the IS-IS route to 192.168.3.0/24 into OSPF, router R3 preference of these two routes? Choose two answers.

Options:

- A- The OSPF internal preference
- B- The IS-IS Level 1 internal preference
- C- The IS-IS Level 2 internal preference
- D- The OSPF external preference

E- The IS-IS Level 2 external preference

F- The IS-IS Level 1 external preference

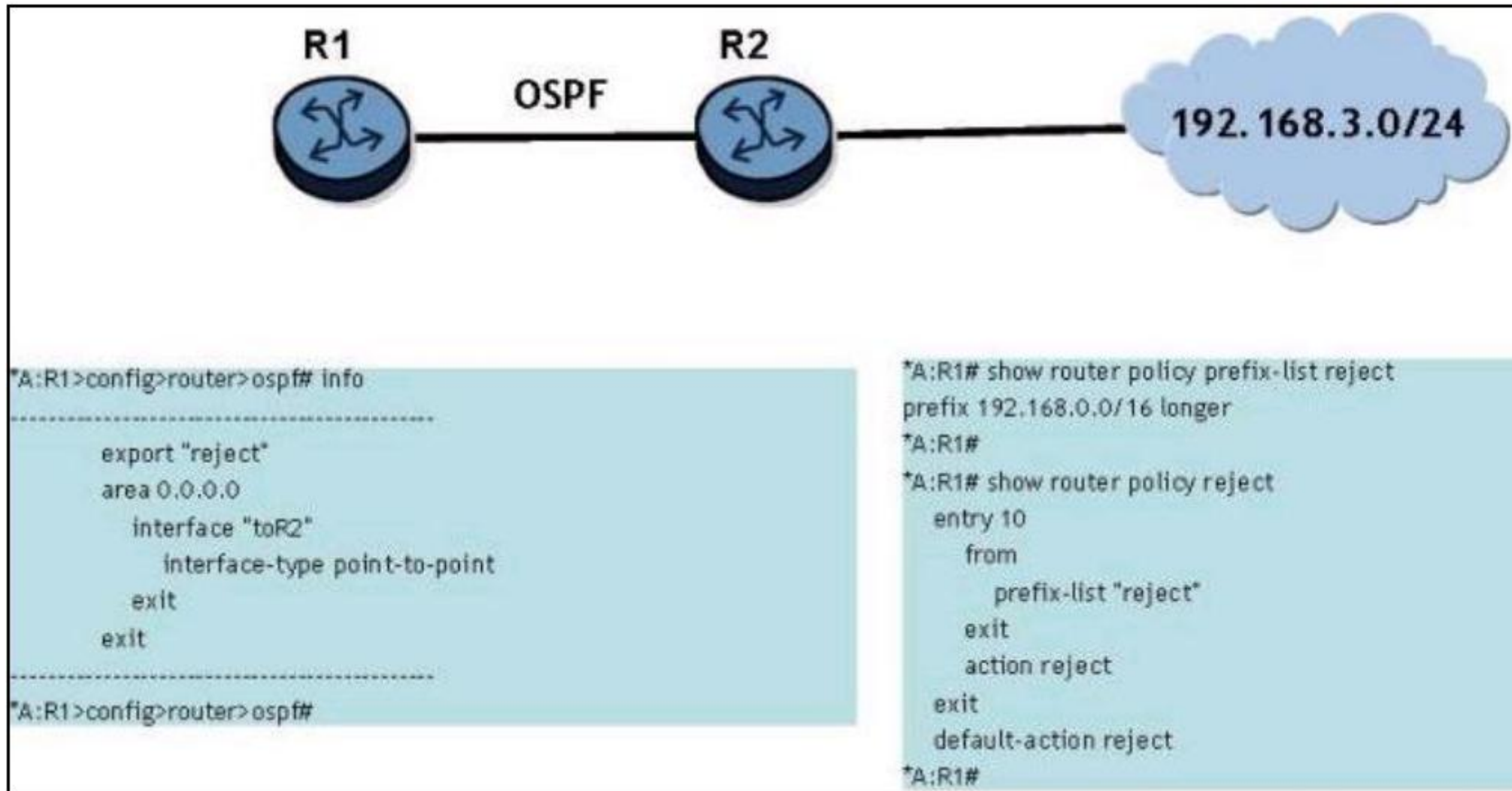
Answer:

B, D

Question 5

Question Type: MultipleChoice

Click the exhibit button.



Router R2 advertises the network 192.168.3.0/24 to router R1 via OSPF. A route policy has been constructed to discard the route on router R1; however, it is not working. What is the problem?

Options:

- A- The prefix list reject should be '192.168.3.0/16 exact'.
- B- Router R1 should be configured as an OSPF 'asbr'.
- C- The policy 'reject' should be set for import rather than export.
- D- The policy was likely not 'committed' after creation.
- E- This is not possible because OSPF cannot use import policies.

Answer:

E

Question 6

Question Type: MultipleChoice

Which of the following are similarities between OSPF and IS-IS? Choose two answers.

Options:

- A- Metric is based on hop count.
- B- Slow convergence after link failures.
- C- Support hierarchy through the use of areas.
- D- Support for CIDR.
- E- Link state updates sent using layer 3 multicast.

Answer:

C, D

To Get Premium Files for 4A0-113 Visit

<https://www.p2pexams.com/products/4a0-113>

For More Free Questions Visit

<https://www.p2pexams.com/nokia/pdf/4a0-113>

